



Mutoh America Inc.
2602 South 47th Street, Suite 102
Phoenix, Arizona 85034 USA
Tel. (480) 968-7772
Fax (480) 968-7990

TECHNICAL INFORMATION BULLETIN

Release date: 8/6/19

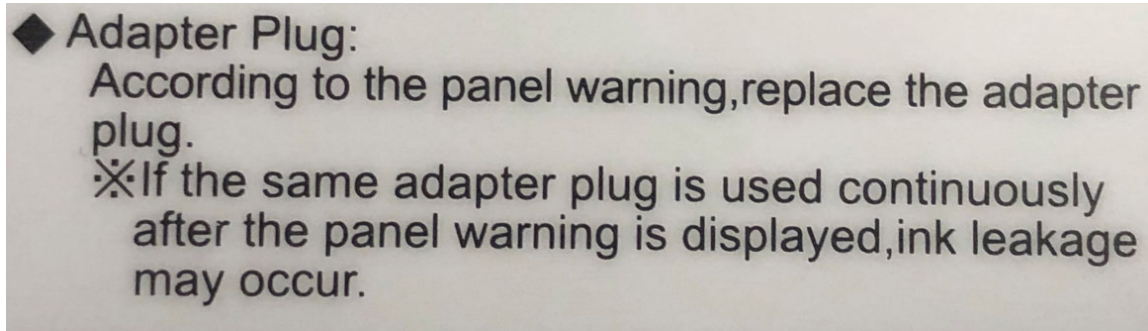
Maintenance & Use – High Capacity Ink Pack Adapter

Dear Mutoh Customer,

If you are currently using Mutoh ink packs with the High Capacity Ink Pack Adapter, please read below for important changes regarding maintenance and use.

The rubber plug at entry point that is included with your high capacity adapter at the time of purchase, should be replaced whenever the warning to replace adapter plug is displayed on the printer display. Additional plugs are consumables and can be purchased in packages of ten (10), PN# DG-43082-10. Contact your authorized Mutoh dealer for current pricing and availability.

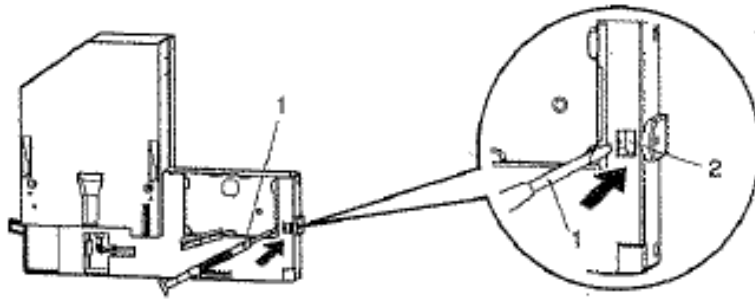
Also, because of the extended life of the current rubber plugs, extra plugs are no longer included with each ink pack at the time of purchase. If you need extra plugs, please see your dealer for purchasing information.



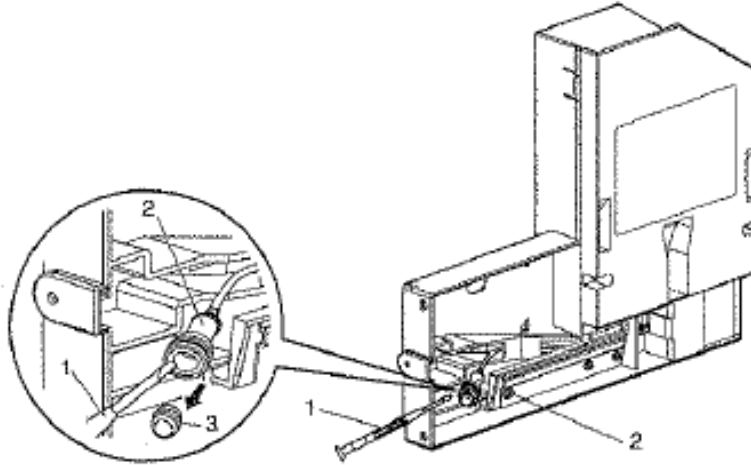
Please follow below guidelines for safe, problem free 1000ml High Capacity Ink Pack Adapter Use:

Safety glasses and Solvent resistant latex gloves are highly recommended to prevent ink/skin contact

1. Place adapter on a clean, flat surface
2. Replace the rubber puncture seal. Rubber puncture seals are rated for 250 insertions; however, to protect against potential ink leaks, Mutoh America Inc. recommends changing the rubber plug each time a new ink pack is installed. A rubber plug is included with each new ink pack for this purpose.
3. To replace the rubber seal (PN# DG-43082), lift the tubing out of the retention slot using a small screwdriver or pull up with small needle nose pliers as shown below.



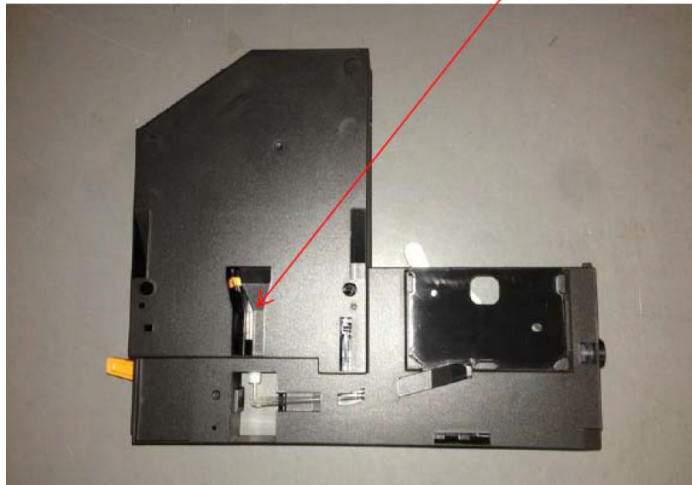
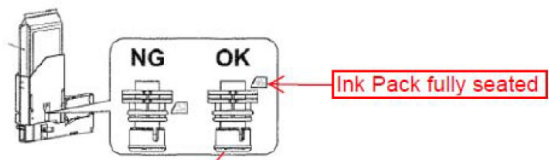
4. Using the same screwdriver, gently pry out the old rubber seal and replace with a new one.



5. Remove the smart card from its protective plastic bag taking care to avoid contact with the copper read/write section of the card (natural skin oils can prevent good contact with internal printer read/write connections).
6. Insert the smart card into the adapter with writing face up and arrow pointing to the right as shown below – ensure card is fully seated.



7. Depress orange release lever and insert 1000ml ink pack into adaptor – ensure ink pack is fully seated to prevent ink leakage.



8. Insert 1000ml ink pack adapter into the printer using same color configuration slots as indicated on printer. **Be sure to fully seat the adaptor or Broken chip errors may occur.**